

model
PHWP

Large Wallpack

Application

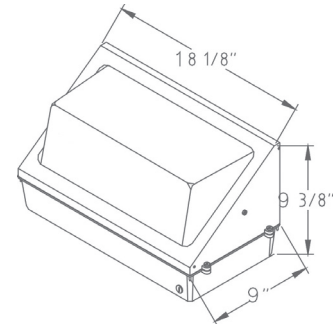
The PHWP large low profile wall pack offers reliable performance with a wide range of uses. It delivers the lighting needed for the exteriors of retail buildings, businesses, walkways, underpasses or door entrances.

Features

- Heavy duty two piece, die-cast aluminium housing with a textured bronze UV resistant finish over a chromate conversion coating
- Specular anodized aluminium reflector
- Silicone gasketing provides protection against moisture
- Mounts directly to 3.5" octagon or 4" square outlet box
- .5" NPS tapped holes provided in three locations for surface conduit entry or optional photo control
- UL 1598 listed wet location
- Clear prismatic borosilicate glass refractor is thermal and shock resistant
- Integral cast-in aluminium hinges permit complete removal of lens frame assembly without tools
- Front housing is hinged for with silicone gasket seal
- Sturdy, low-profile design for commercial and industrial applications
- Standard color is bronze. Contact factory for finishes.



Dimensions



ORDERING INFORMATION:

Example: **(PHWP-80-41-120-BZ-WG)**

