

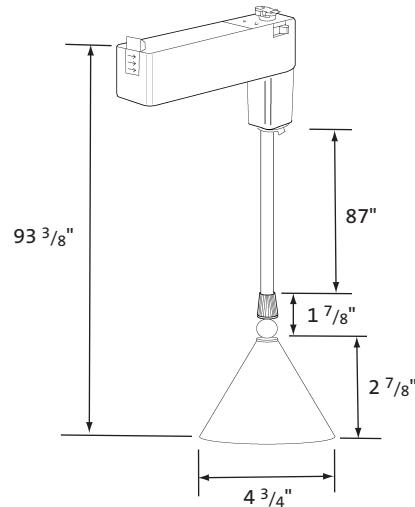
RLM16

Decorator Series Pendant Track Fixture

Catalog #

Type

Project



Fixture shown with LA2050 transformer and LA1634 Glass Shade.
*Transformer and Glass Shade sold separately.

Specifications/Features

Fixture

This low voltage fixture is adaptable for track or mono-point applications.

This series offers unique adaptability. The exclusive adapter (LA-17V, supplied) allows the 12V pendants to be mounted to the Con-Tech lighting track system using the LA2050 or LA1816 transformer.

Specially created for use with 20-50W MR16 front glass lamps or 20-50W Bi-Pin T4 lamps.

Glass Shades

Select from a rainbow of six etched glass shades in decorator hues.

Glass dimensions: 1" top opening, 4-3/4" bottom opening, 2-7/8" tall.

Transformers

50W transformer available in black and white.

Dimensions: 5-1/8" L X 1-3/8" W X 1-5/8" H.

Lamp/Electrical

(1) 20-50W MR16 (front glass) lamp (max) 12V, or

(1) 20-50W Bi-Pin T4 lamp (max) 12V.

Warranty

This fixture is covered by Con-Tech's full replacement guarantee which is effective for one year.

Listing

cUL_{US} listed. Suitable for dry locations.

Ordering Information

Example Order: - - -

Fixture

RLM16/BLK
RLM16/WHT

Finish

C - Chrome
PB* - Polished Brass

Glass Shade Options

LA1634-A - Amber Glass Shade
LA1634-B - Blue Glass Shade
LA1634-G - Green Glass Shade
LA1634-PR - Purple Glass Shade
LA1634-R - Red Glass Shade
LA1634-F - Frosted Glass Shade

Transformer

LA1816-P - White Mono-Point Transformer
LA1816-B - Black Mono-Point Transformer
LA2050-P - White Track Mounted Transformer
LA2050-B - Black Track Mounted Transformer

*Polished Brass finish is only available for RLM16/BLK.

