

# CTL616

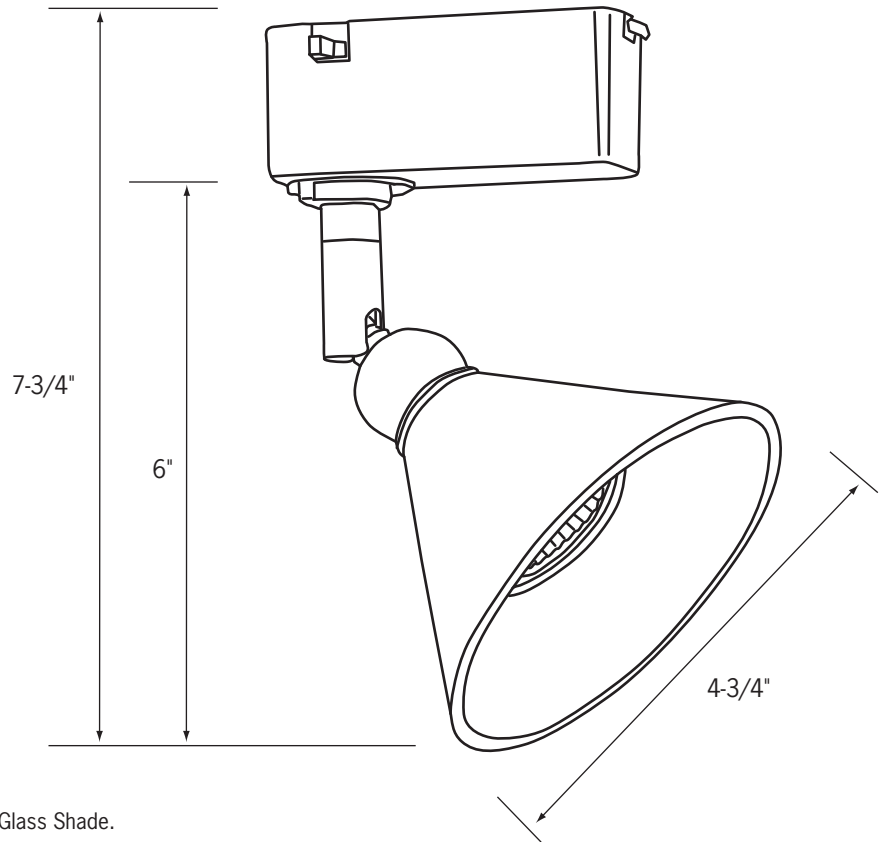
## low voltage

### RLM16 Decorator Series Adjustable Track Fixture

Catalog No. \_\_\_\_\_

Type \_\_\_\_\_

Project \_\_\_\_\_



Fixture shown with LA2050N transformer and LA1634 Glass Shade.  
\*Transformer and Glass Shade sold separately.

### Specifications/Features

#### Fixture

Specially created for use with 20-50W MR16 front glass lamps or 20-50W Bi-Pin T4 lamps.  
Must be used with an LA2050N track or LA1816 mono-point transformer.  
Decorative chrome ball provides stylish accent.

#### Lamp

(1) 20-50W MR16 (front glass) lamp (max) 12V, or  
(1) 20-50W Bi-Pin T4 lamp (max) 12V.

#### Transformers

50W transformer available in black and white.

Dimensions: 4" L X 1-3/8" W X 1-5/8" H.

#### Glass Shades

Select from a variety of glass shades in decorator hues: LA1631, LA1634, SL9000 or SL9006N.

#### Warranty

This fixture is covered by Con-Tech's one (1) year full replacement guarantee after date of purchase.

#### Listing

cULus listed. Suitable for dry locations.

### Ordering Information

Example Order:

Fixture

**CTL616/BLK-C** - Black Stem/  
Chrome Decorative Ball  
**CTL616/WHT-C** - White Stem/  
Chrome Decorative Ball

50W Transformer

**LA2050N-B** - Black  
**LA2050N-P** - White

Glass Shade Options

**LA1631-(AP, B, R, W)**  
**LA1634-(A, B, G, PR, R, F)**  
**SL9000-(F, VA, VB, VG, VR)**  
**SL9006N-(A, CB, DG, F, G, R, Y)**



1-800-728-0312

www.con-techlighting.com

All specifications subject to change without notice.