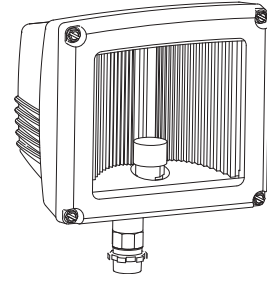


NITEO BRITES

FSN-MINI FLOODLIGHT

20-70 watt Metal Halide
24 watt LED

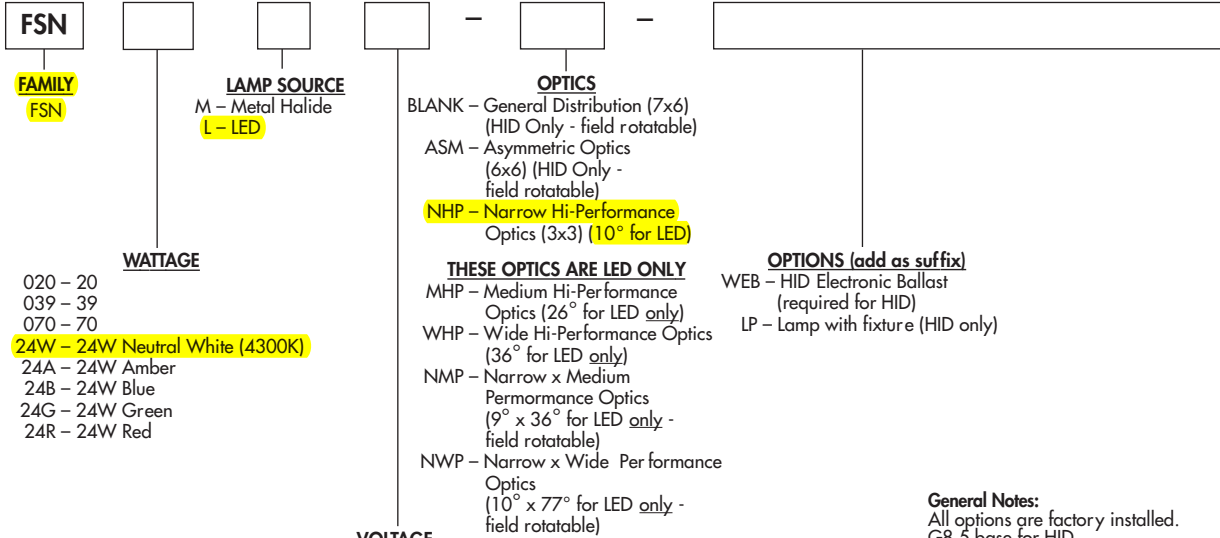


JOB NAME _____
TYPE _____

The Mini Floodlight gives the precision and maneuverability needed to create an attractive and functional lighting scheme in a compact package. Use the Mini Floodlight for landscapes, security, signs and displays.

ORDERING MATRIX

SAMPLE CATALOG NUMBER: FSN070MU-WEB-LP



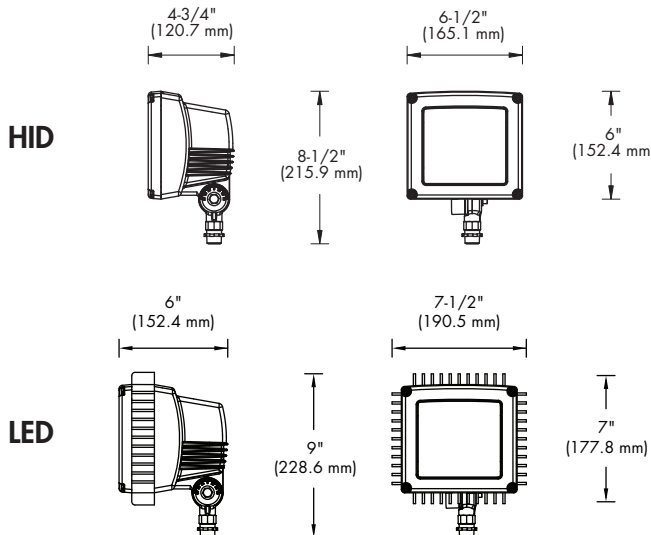
VOLTAGE
U – Universal
108-305
volts 50Hz
or 60Hz

- ACCESSORIES (order separately)**
- CAM - Crossarm Adapter
 - PTF - Post Top Slipfitter
 - VFSN - Vandal Shield
 - PBM - Pipe Bracket
 - VFSN - Visor
 - WGFSN - Wire Guard
 - WTM - Wiring Trough
 - WBF - Wall mount bracket
- (For additional descriptions of Floodlight accessories refer to sheet number OA-50010.1)

General Notes:
All options are factory installed.
G8.5 base for HID.
All accessories are field installed.
LED Light Engine and Driver are field replaceable.
LED Light Engine has >50,000 hour life expectancy.
Data subject to change without notice.

Warning: Refer to and follow the lamp manufacturer's warnings and instructions.

DIMENSIONS

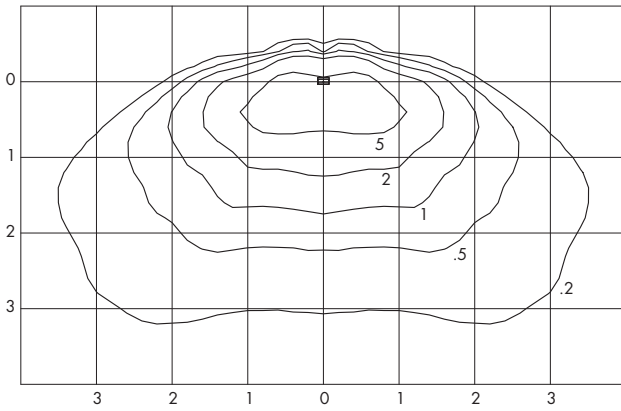


ENERGY DATA

METAL HALIDE	
ELECTRONIC BALLAST INPUT WATTS	20 watt-26 watts
	39 watt-46 watts
	70 watt-80 watts
LED	
ELECTRONIC DRIVER INPUT WATTS	24 watt-23 watts

EPA = .22 sq. ft.
WEIGHT = 8 lbs. (max.)

PHOTOMETRICS



UNITS SHOWN IN TERMS OF MOUNTING HEIGHT
INITIAL FOOTCANDLES SHOWN

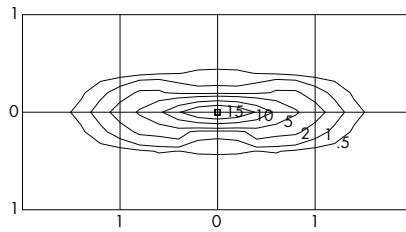
CATALOG NUMBER: FSN070M
 TEST NUMBER: 26892
 LAMP: METAL HALIDE
 WATTAGE: 70
 LUMENS: 6,200
 TILT ANGLE: 45°
 MOUNTING HEIGHT: 10 FEET

LIGHT LEVEL MULTIPLYING FACTORS	
MOUNTING HEIGHT	MULTIPLIER
20'	0.25
15'	0.44
12'	0.69
10'	1.00
8'	1.56

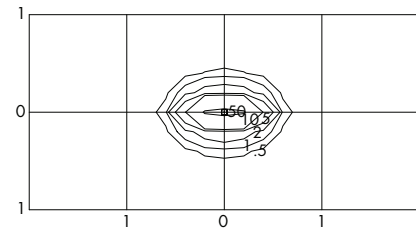
ADDITIONAL TEST NUMBERS

DESCRIPTION/CATALOG NUMBER	TEST NUMBER
FSN039M	26892P
FSN020M	268922
FSN070M-ASM	26893
FSN039M-ASM	26893P
FSN020M-ASM	268932
FSN070M-NHP	26894
FSN039M-NHP	26894P
FSN020M-NHP	268942

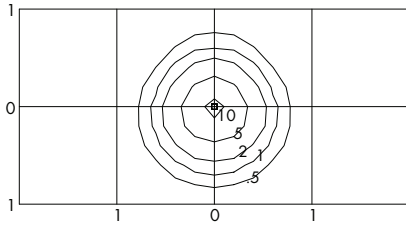
CATALOG NUMBER: FSN24WL
 LAMP: LED
 WATTAGE: 24
 LUMENS: 962
 TILT ANGLE: 0°
 MOUNTING HEIGHT: 10 FEET



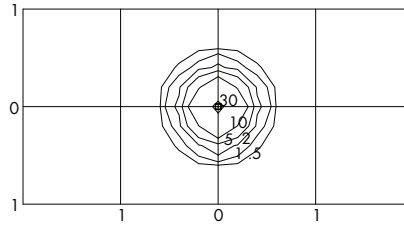
OPTICS: NWP
 TEST NUMBER: 27857



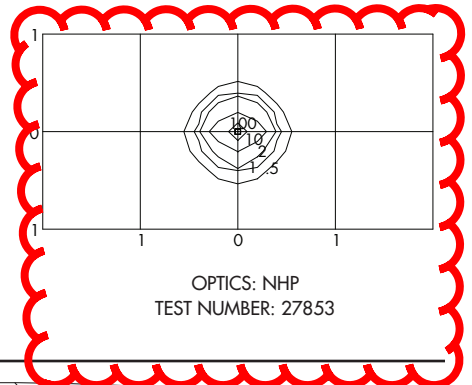
OPTICS: NMP
 TEST NUMBER: 27854



OPTICS: WHP
 TEST NUMBER: 27852



OPTICS: MHP
 TEST NUMBER: 27790

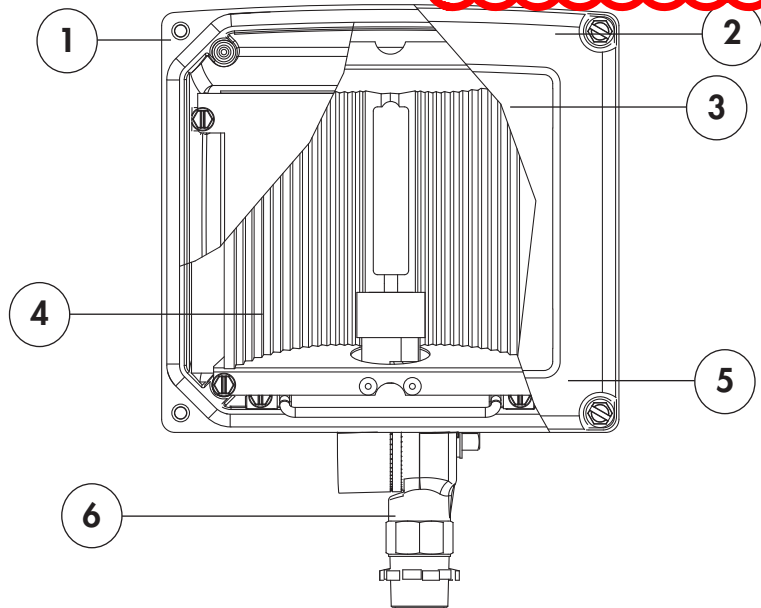


OPTICS: NHP
 TEST NUMBER: 27853

PRODUCT FEATURES

Third party certified to meet UL1598 standards for wet location and 25°C ambient for all HID lamp wattages listed and 40°C ambient for LED. IP65 Rated.

1. Sturdy one piece die cast aluminum housing with internal hinge.
2. One piece die cast aluminum door has stainless steel, captive door fasteners for easy maintenance.
3. Door has tempered glass lens which is thermal shock and impact resistant.
4. Anodized aluminum reflector.
5. Attractive dark bronze polyester powder finish for excellent impact, corrosion and UV resistance.
6. 1/2" NPT die cast aluminum arm mount.



FL-41041.2

DAY-BRITE LIGHTING • www.daybritelighting.com
 776 South Green Street • Tupelo, Mississippi 38804 • PH: (662) 842-7212 • FAX: (662) 841-5501
CANADIAN DIVISION
 189 Bullock Drive • Markham, Ontario L3P 1W4 • PH: (905) 294-9570 • FAX: (905) 294-9811
 ©MARCH 2009 DAY-BRITE LIGHTING DAY-BRITE RESERVES THE RIGHT TO MAKE CHANGES WITHOUT NOTICE.

PHILIPS